

# 551969-LSD1 LOW MOUNT DRIVER SIDE MECHANICAL FUEL PUMP BRACKET



Made in the USA with USA made materials, metric flange bolts, spacers, pulleys, & tensioners

Scan to visit our web site



www.ictbillet.com



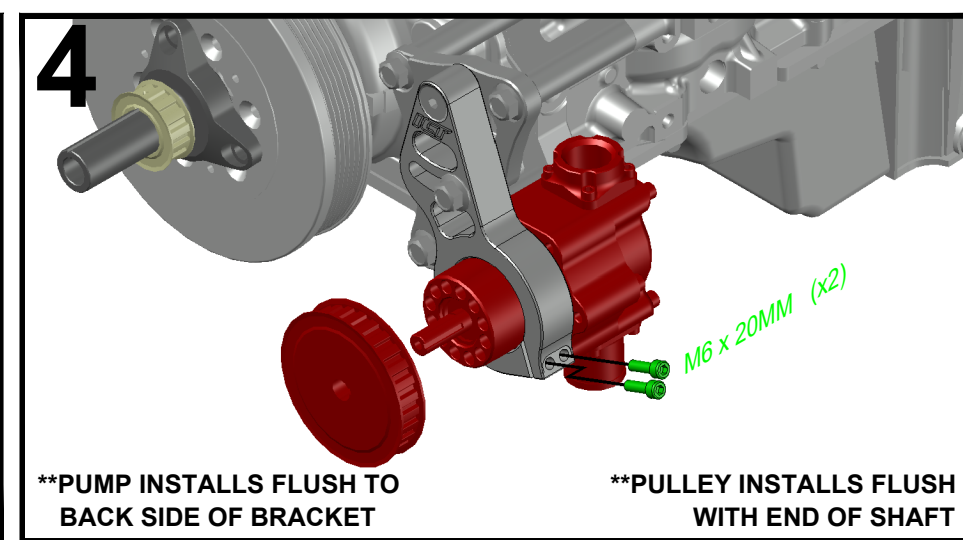
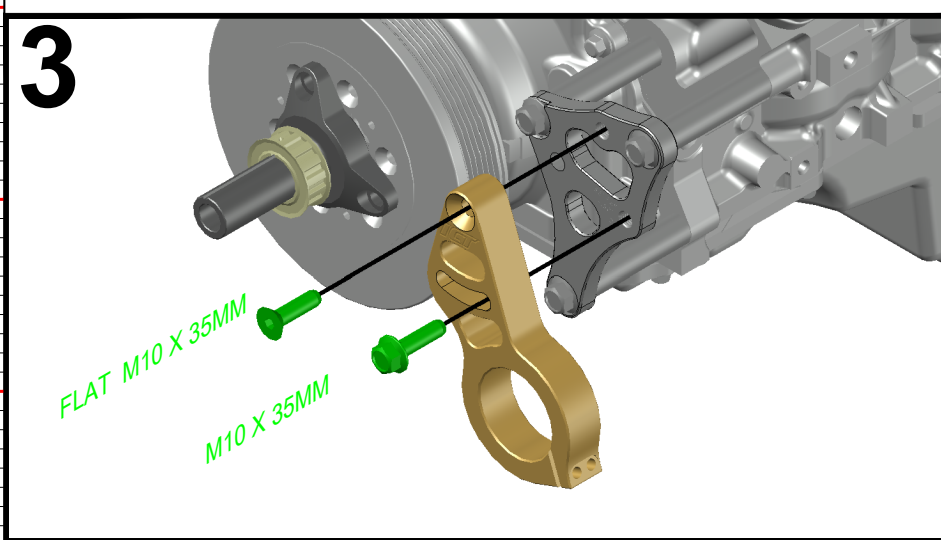
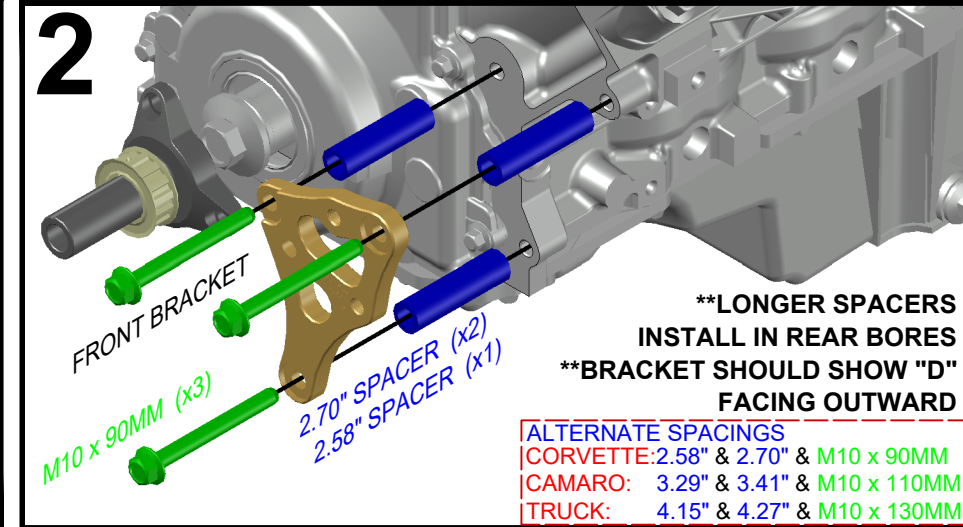
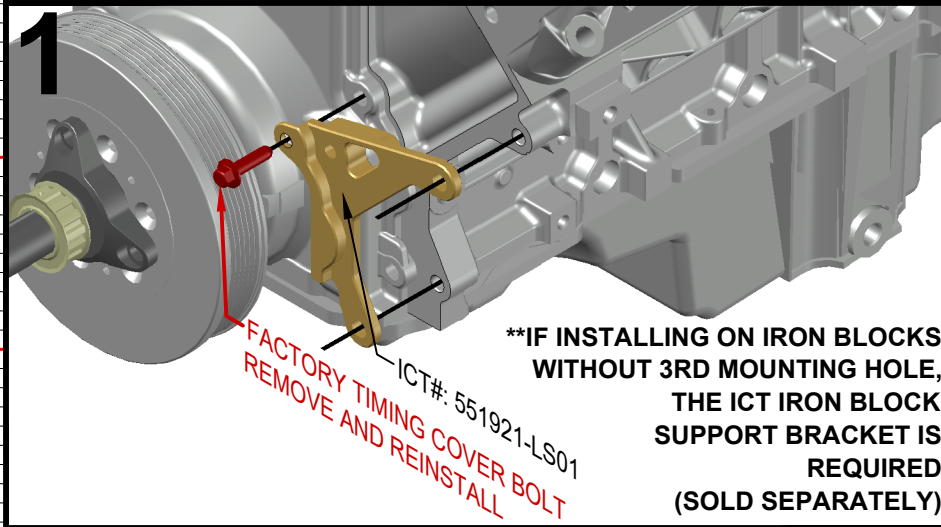
840117203464



**WARNING: Cancer and Reproductive Harm - www.P65Warnings.ca.gov**  
**INSTALLATION LOCATION: FRONT DRIVE - DRIVER SIDE**

Technical Support

www.ictbillet.com  
 email: sales@ictbillet.com  
 Phone: 316-300-0833



**WARNING: Proposition 65 - This product can expose you to chemicals including lead, which is known to the State of California to cause cancer, birth defects, or other reproductive harm. For more information go to www.P65Warnings.ca.gov**

**ALUMINUM** - Most of the aluminum alloys used today contain some level of lead, usually less than .1%. Lead is known to the state of California to cause cancer and reproductive harm. Most aluminum alloys are physiologically inert in their solid form, and the lead is contained within, however user-generated dust and/or fumes may pose a hazard if inhaled or ingested. Heating beyond a certain temperature may also provide avenues for exposure.

**STEEL BOLTS** - Steel is an iron alloy with several metals including Nickel and Chromium. Both Nickel and Chromium are known to the State of California to cause cancer and reproductive harm, respectfully. This warning applies to stainless steels as well.

IN 10ths

1

2

3

4

5

6

7

MM

10

20

30

40

50

60

70

80

90

100

110

120

130

140

150

160

170

180

# 551969-LSD1 LOW MOUNT DRIVER SIDE MECHANICAL FUEL PUMP BRACKET



Made in the USA with USA made materials, metric flange bolts, spacers, pulleys, & tensioners

Scan to visit our web site

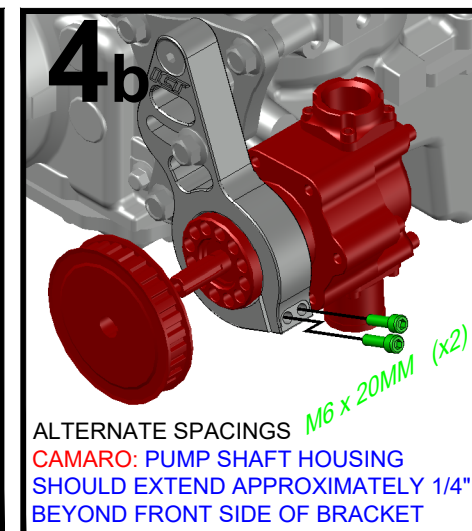
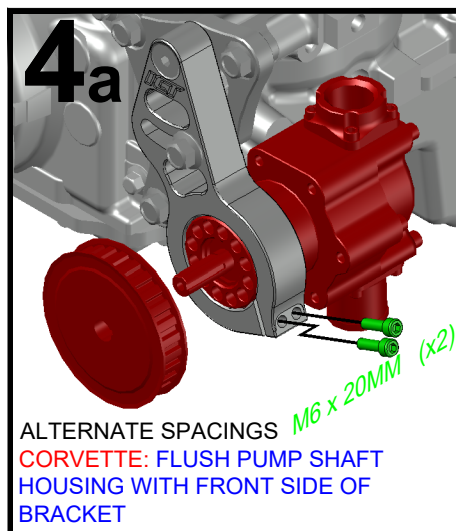
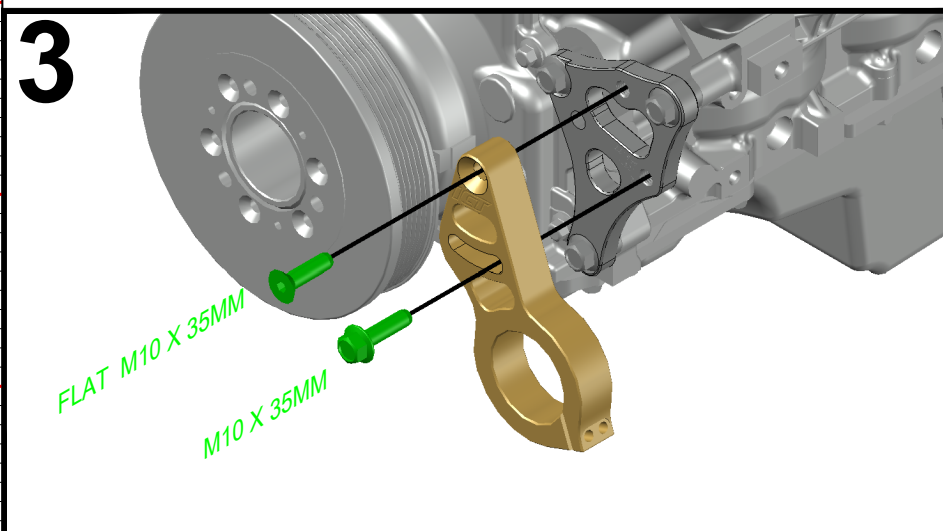
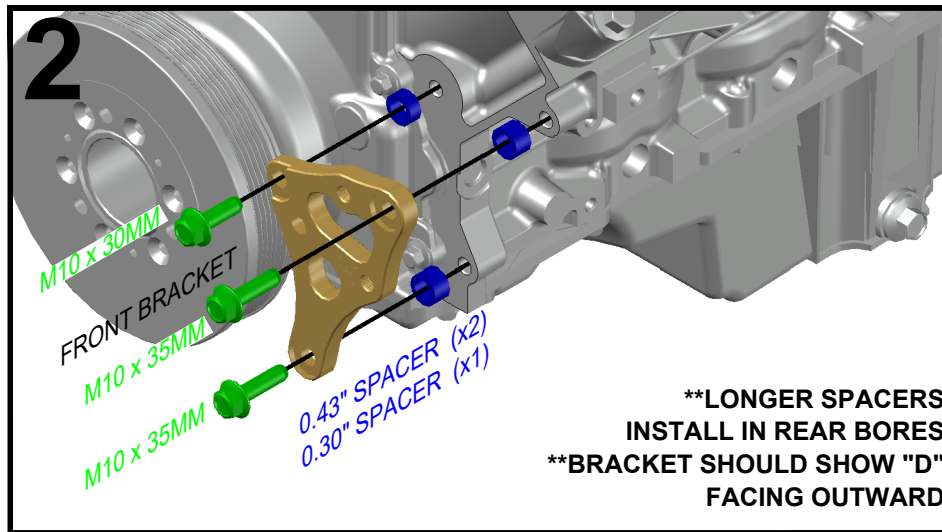
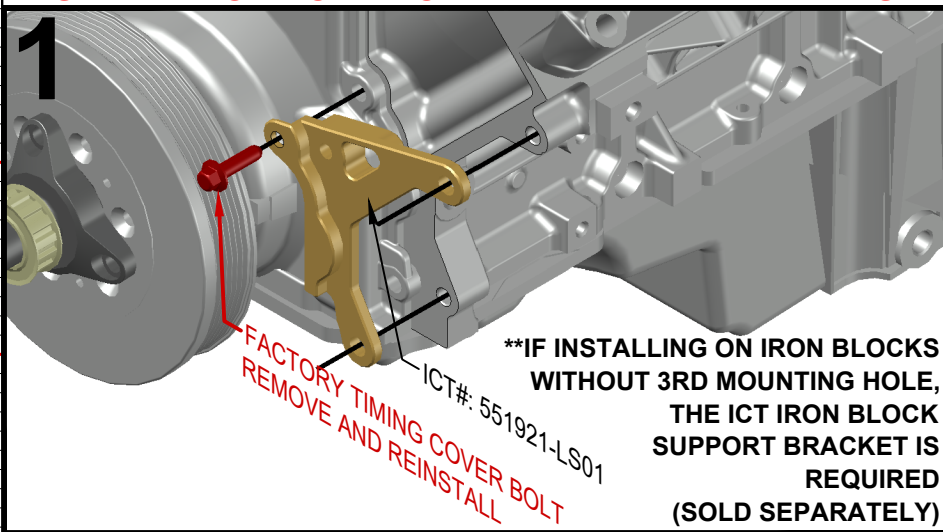


www.ictbillet.com

Technical Support  
www.ictbillet.com  
email: sales@ictbillet.com  
Phone: 316-300-0833

**⚠ WARNING: Cancer and Reproductive Harm - www.P65Warnings.ca.gov**

**INSTALLATION LOCATION: REAR DRIVE - DRIVER SIDE**



**⚠ WARNING: Proposition 65 - This product can expose you to chemicals including lead, which is known to the State of California to cause cancer, birth defects, or other reproductive harm. For more information go to www.P65Warnings.ca.gov** **ALUMINUM** - Most of the aluminum alloys used today contain some level of lead, usually less than .1%. Lead is known to the state of California to cause cancer and reproductive harm. Most aluminum alloys are physiologically inert in their solid form, and the lead is contained within, however user-generated dust and/or fumes may pose a hazard if inhaled or ingested. Heating beyond a certain temperature may also provide avenues for exposure. **STEEL BOLTS** - Steel is an iron alloy with several metals including Nickel and Chromium. Both Nickel and Chromium are known to the State of California to cause cancer and reproductive harm, respectfully. This warning applies to stainless steels as well.

IN 10ths

1

2

3

4

5

6

7

MM

10

20

30

40

50

60

70

80

90

100

110

120

130

140

150

160

170

180