

551778 IDLER RELOCATION FOR 668-3



Made in the USA
with USA made materials,
metric flange bolts, spacers,
pulleys, & tensioners

Technical
Support

www.ictbillet.com
email: sales@ictbillet.com
Phone: 316-300-0833

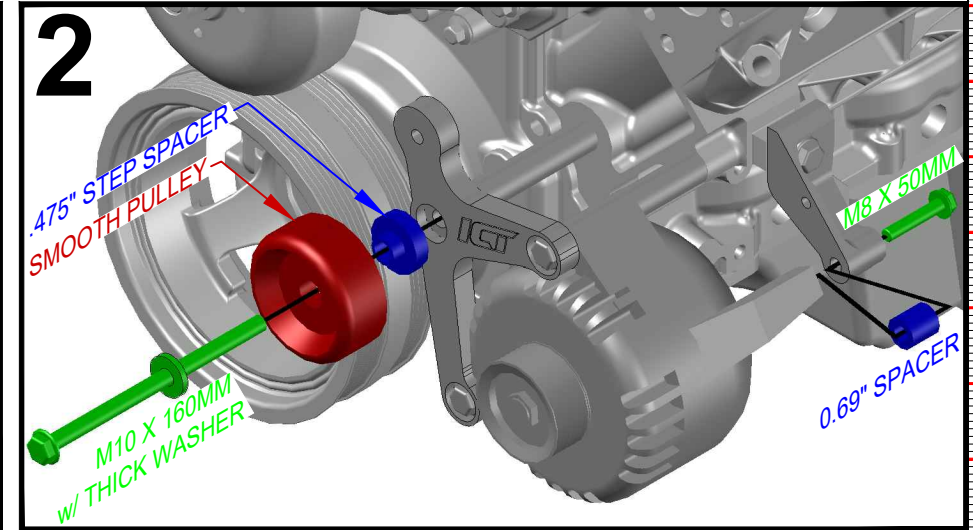
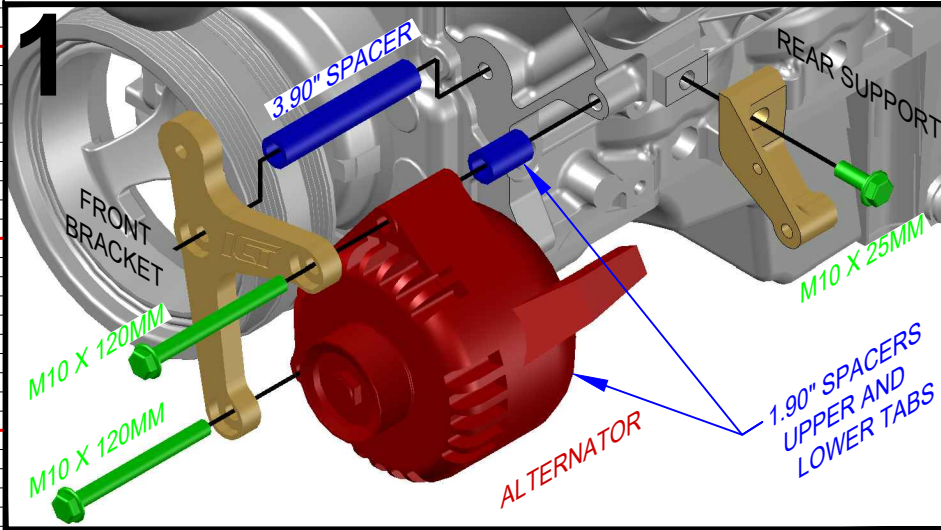
Scan to visit our web site



www.ictbillet.com

IN
10ths
1
2
3
4
5
6
7

MM
10
20
30
40
50
60
70
80
90
100
110
120
130
140
150
160
170
180



OPTION 1 IS FOR ALUMINUM BLOCKS

OPTION 2 IS FOR IRON BLOCKS

