

551386 LT CORVETTE TURBO OIL FEED COOLER SPACER KIT



Made in the USA
with USA made materials,
metric flange bolts, spacers,
pulleys, & tensioners

Scan to visit our web site



www.ictbillet.com



UPC



656729843864

IN
10ths

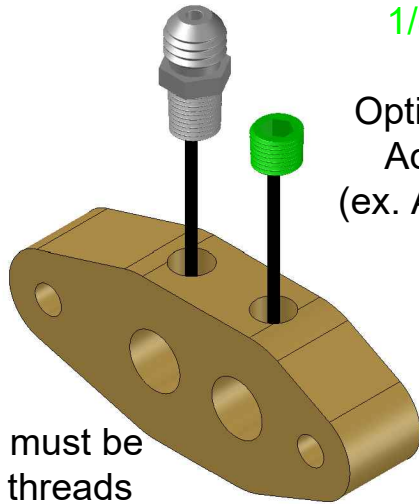
MM

! WARNING: Cancer and Reproductive Harm - www.P65Warnings.ca.gov

Technical
Support

www.ictbillet.com
email: sales@ictbillet.com
Phone: 316-300-0833

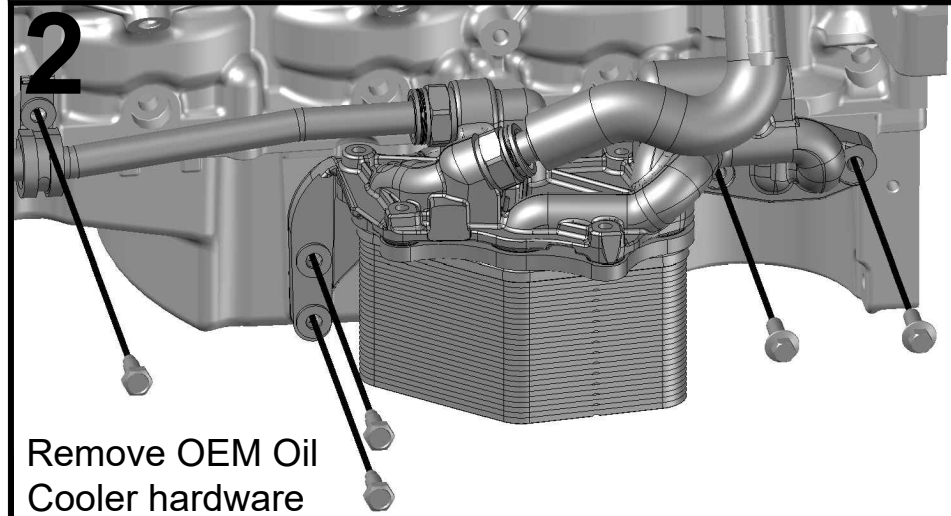
1



1/8" NPT Plug
or
Optional 1/8" NPT
Adapter Fitting
(ex. AN816-04-02A)

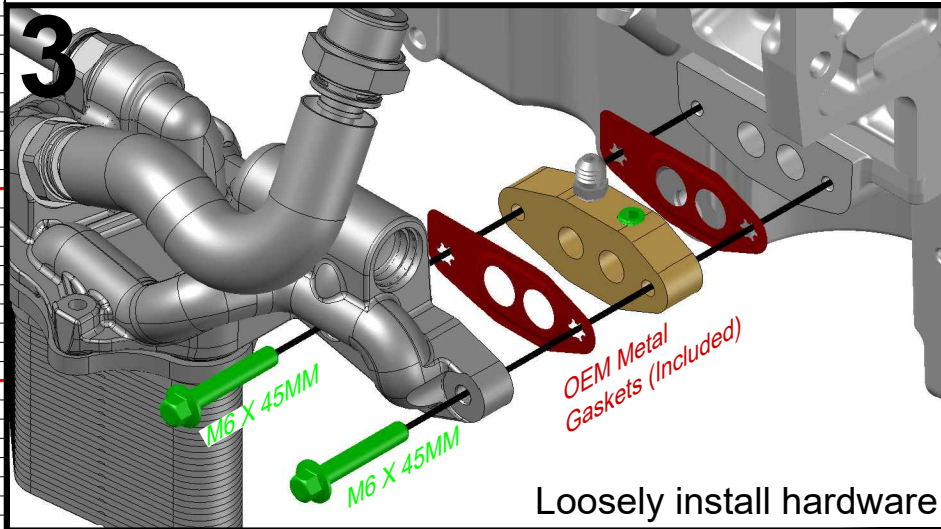
Thread sealant must be
applied to NPT threads

2



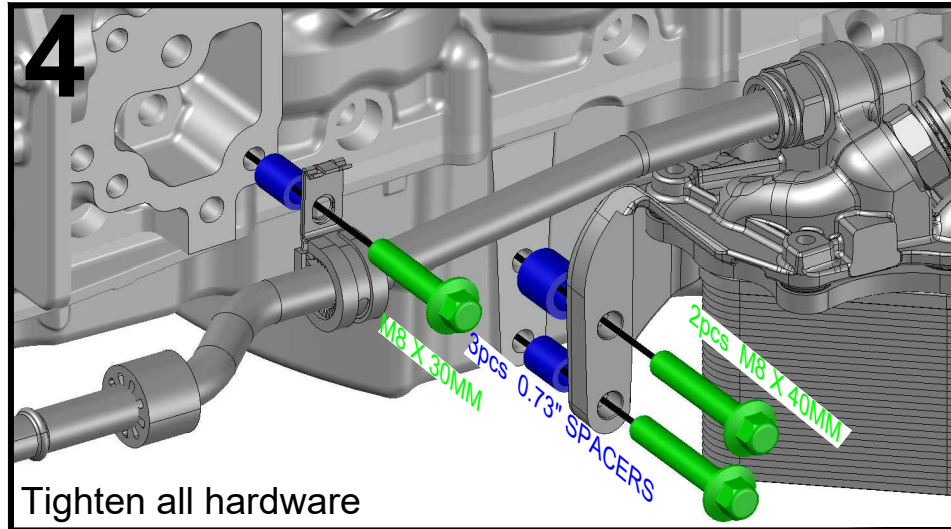
Remove OEM Oil
Cooler hardware

3



Loosely install hardware

4



Tighten all hardware

! WARNING: Proposition 65 - This product can expose you to chemicals including lead, which is known to the State of California to cause cancer, birth defects, or other reproductive harm. For more information go to www.P65Warnings.ca.gov **ALUMINUM** - Most of the aluminum alloys used today contain some level of lead, usually less than .1%. Lead is known to the state of California to cause cancer and reproductive harm. Most aluminum alloys are physiologically inert in their solid form, and the lead is contained within, however user-generated dust and/or fumes may pose a hazard if inhaled or ingested. Heating beyond a certain temperature may also provide avenues for exposure. **STEEL BOLTS** - Steel is an iron alloy with several metals including Nickel and Chromium. Both Nickel and Chromium are known to the State of California to cause cancer and reproductive harm, respectfully. This warning applies to stainless steels as well.

551386 LT TRUCK TURBO OIL FEED COOLER SPACER KIT



Made in the USA
with USA made materials,
metric flange bolts, spacers,
pulleys, & tensioners

Scan to visit our web site



www.ictbillet.com

Technical
Support

www.ictbillet.com
email: sales@ictbillet.com
Phone: 316-300-0833

IN
10ths
-1
-2
-3
-4
-5
-6
-7

MM
10
20
30
40
50
60
70
80
90
100
110
120
130
140
150
160
170
180

1

1/8" NPT Plug
or
Optional 1/8" NPT
Adapter Fitting
(ex. AN816-04-02A)

Thread sealant must be
applied to NPT threads

2

Remove OEM Oil
Cooler hardware

3

M6 X 45MM
M6 X 45MM
OEM Metal
Gaskets (Included)

Loosely install hardware

4

SMALL DIAMETER
0.73" SPACERS

M6 X 35MM

Tighten all hardware