

# 551177LS0-3LS PASSENGER ALTERNATOR KIT - ELECTRIC OR REMOTE WATER PUMP



Scan to visit our web site



Made in the USA  
with USA made materials,  
metric flange bolts, spacers,  
pulleys, & tensioners

www.ictbillet.com

Technical  
Support

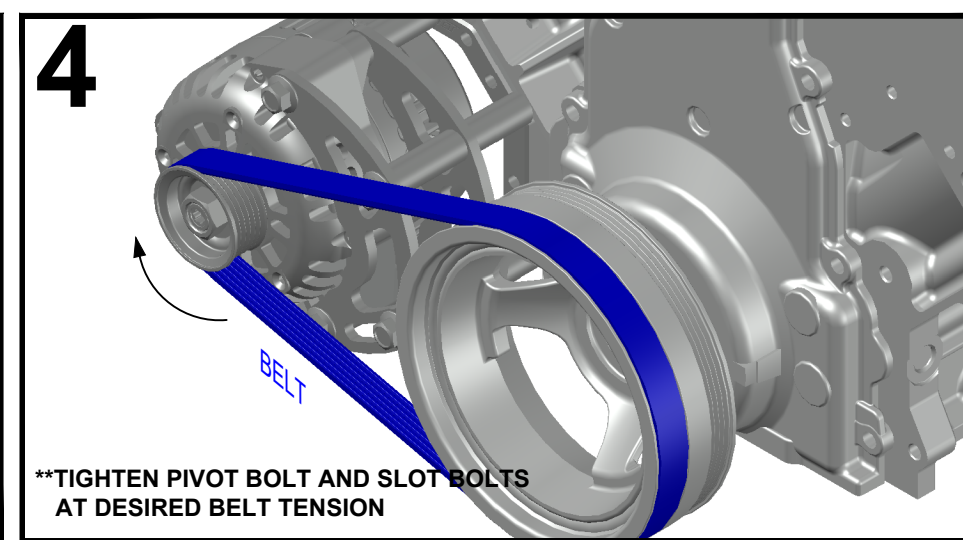
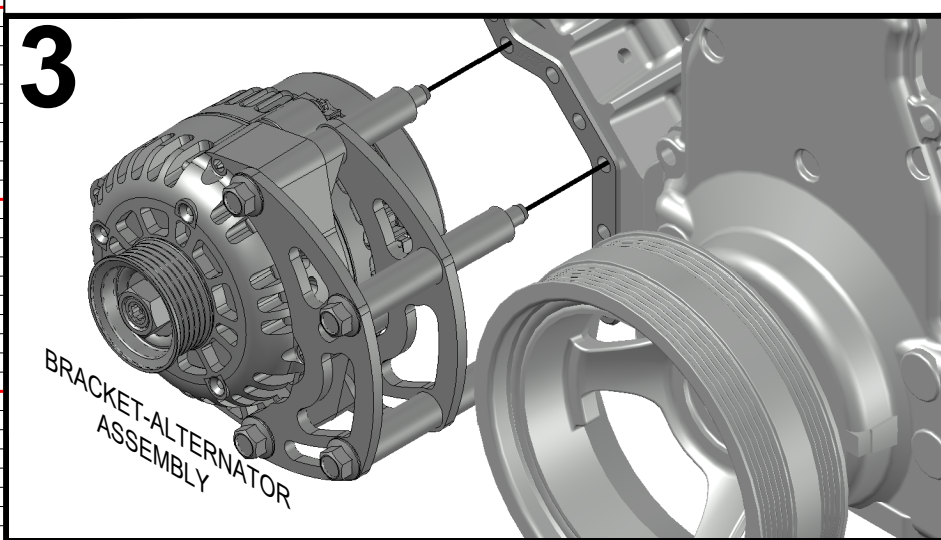
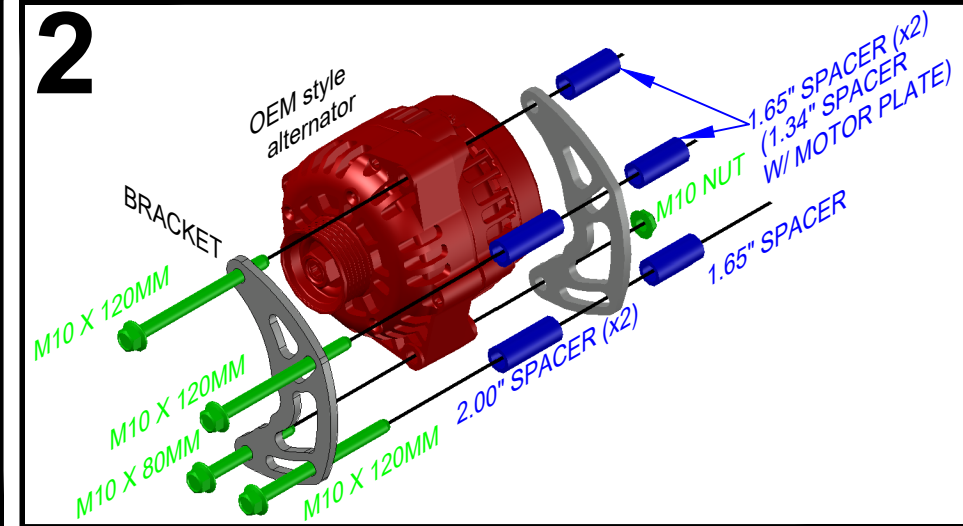
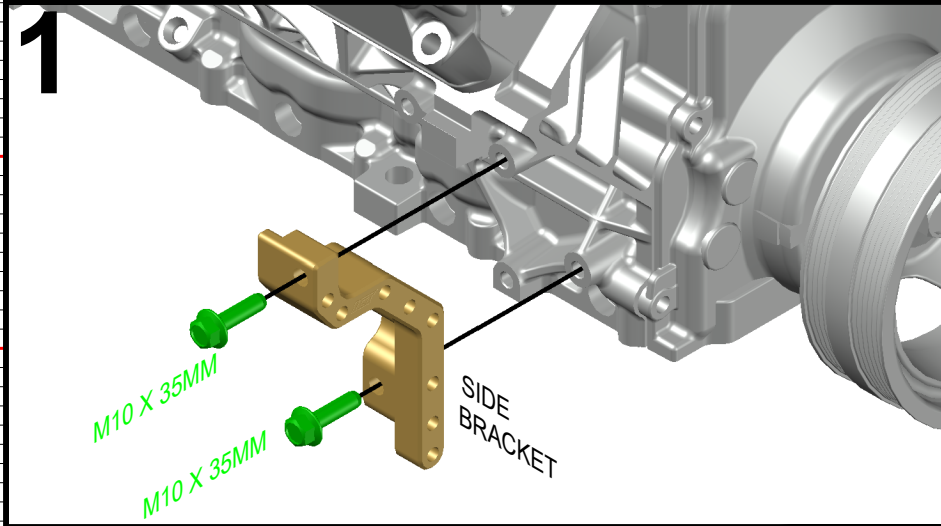
www.ictbillet.com  
email: sales@ictbillet.com  
Phone: 316-300-0833



840117203525



**! WARNING: Cancer and Reproductive Harm - www.P65Warnings.ca.gov**



**! WARNING: Proposition 65 - This product can expose you to chemicals including lead, which is known to the State of California to cause cancer, birth defects, or other reproductive harm. For more information go to www.P65Warnings.ca.gov** **ALUMINUM** - Most of the aluminum alloys used today contain some level of lead, usually less than .1%. Lead is known to the state of California to cause cancer and reproductive harm. Most aluminum alloys are physiologically inert in their solid form, and the lead is contained within, however user-generated dust and/or fumes may pose a hazard if inhaled or ingested. Heating beyond a certain temperature may also provide avenues for exposure. **STEEL BOLTS** - Steel is an iron alloy with several metals including Nickel and Chromium. Both Nickel and Chromium are known to the State of California to cause cancer and reproductive harm, respectfully. This warning applies to stainless steels as well.

IN  
10ths  
1  
2  
3  
4  
5  
6  
7

MM  
10  
20  
30  
40  
50  
60  
70  
80  
90  
100  
110  
120  
130  
140  
150  
160  
170  
180